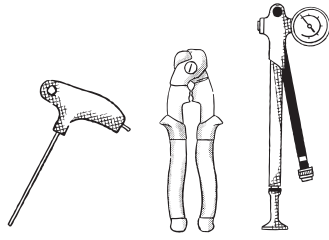


TOOLS NEEDED

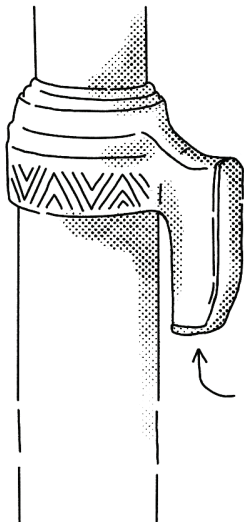
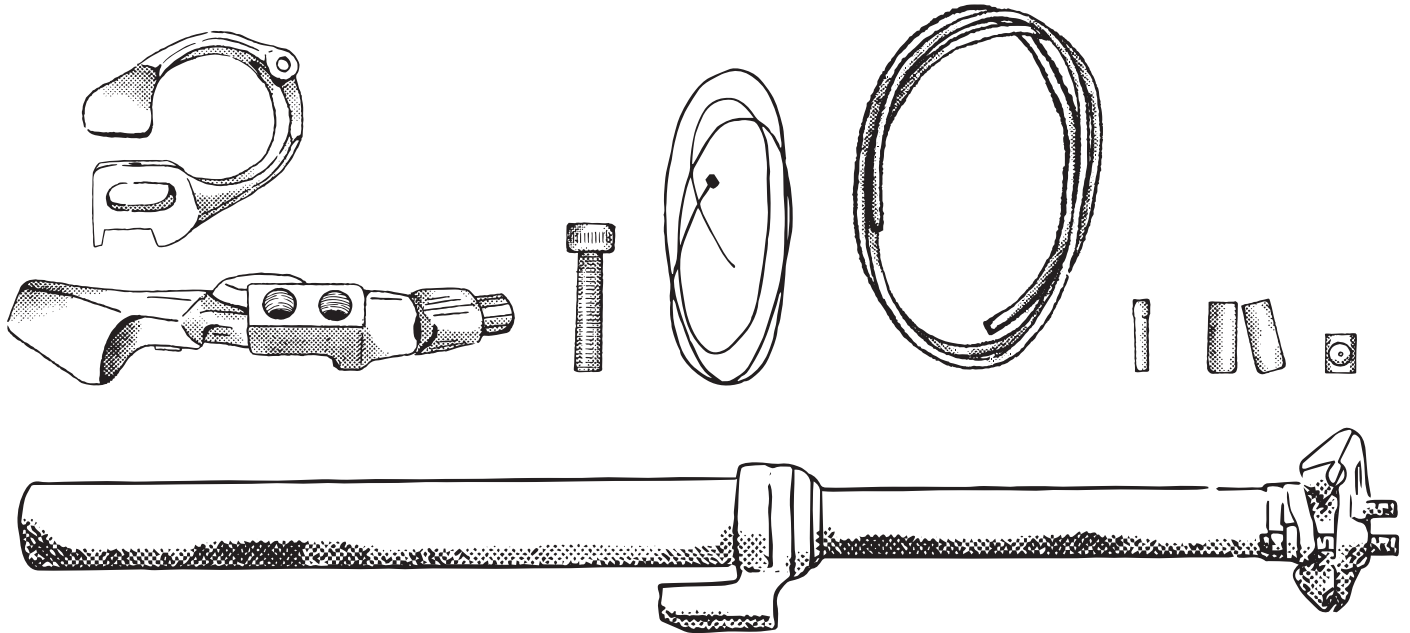
- 3MM, 4MM, AND 5MM ALLEN WRENCHES
- CABLE CUTTERS
- HIGH PRESSURE SHOCK PUMP



WARNING: DO NOT DRILL OR MODIFY YOUR FRAME IN ANY WAY. DOING SO WILL VOID THE WARRANTY. MODIFICATION OF YOUR FRAME IN ANY WAY MAY RESULT IN FRAME FAILURE WHICH MAY RESULT IN SERIOUS INJURY OR DEATH.

PACKAGE INCLUDES

- DROPPER POST
- PUGET 1X LEVER
- HINGED CLAMP
- LEVER BOLT
- SHIFTER CABLE
- CRIMPABLE CABLE END
- HOUSING ENDS
- CABLE HOUSING
- SHIFTER CABLE END BARREL ADAPTER.



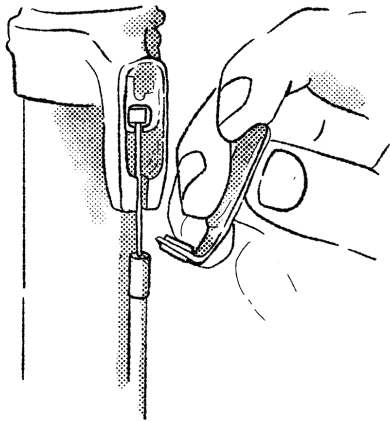
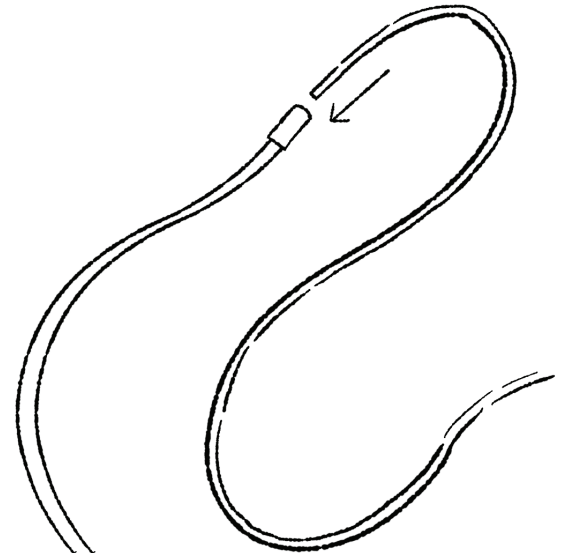
STEP 1

REMOVE CABLE PORT DUST COVER AT THE MID-CAP OF POST. IT IS EASIEST TO REMOVE FROM THE BOTTOM PORTION WHERE THE CABLE INSERTS.

CONT'D...

STEP 2

RUN THE CABLE THROUGH THE CABLE HOUSING AND MID-CAP CABLE PORT DUST COVER AND FIX THE DUST COVER TO THE HOUSING AS SHOWN.

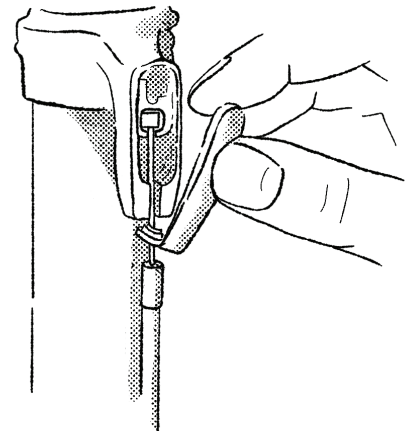


STEP 3

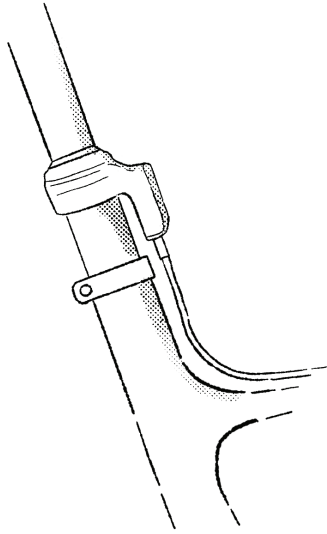
PLACE THE METAL CABLE END INTO THE SQUARE SHAPED INSERT ON THE POST ACTUATOR ROD.
NOTE: EXTERNALLY ROUTED POSTS USE THE SQUARE END SHIFTER CABLE AS IS AND DO NOT REQUIRE THE SHIFTER CABLE END BARREL ADAPTER INCLUDED WITH SOME DROP-PER LEVERS.

STEP 4

SET CABLE HOUSING INTO THE HOUSING HOLDER, PULL CABLE TAUT, AND REPLACE CABLE PORT DUST COVER.



CONT'D...

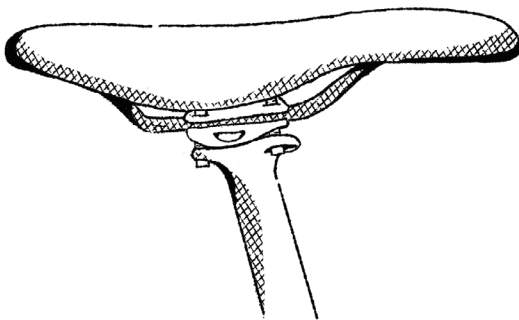
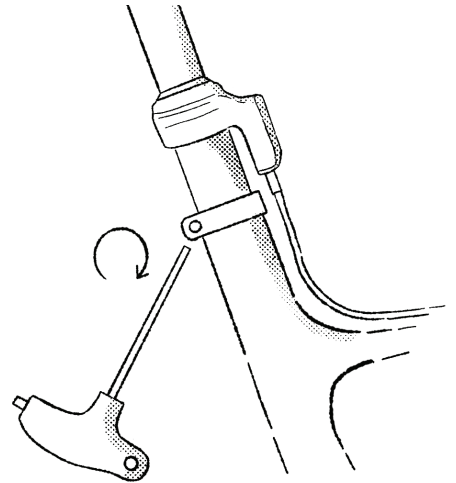


STEP 5

INSERT THE DROPPER POST INTO PROPERLY LUBRICATED SEAT TUBE. BE SURE TO INSERT POST BEYOND MINIMUM INSERTION LINE ON POST.

STEP 6

TIGHTEN SEAT TUBE CLAMP TO THE RECOMMENDED TORQUE SPECIFICATIONS OF YOUR MANUFACTURER.



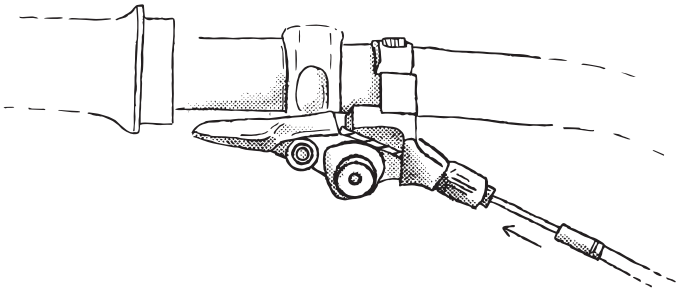
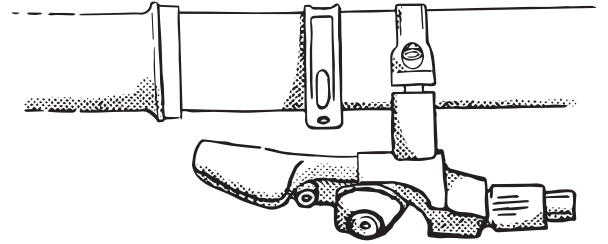
STEP 7

PLACE SADDLE RAILS INTO CLAMP, ADJUST ANGLE AND FORE/AFT POSITION PER BIKE FIT, TIGHTEN BOLTS WITH 5MM ALLEN WRENCH TO 8-10NM.

PUGET 1X LEVER INSTALL

STEP 1

POSITION HINGED CLAMP ON BAR AND ATTACH LEVER TO CLAMP USING EITHER THREADED HOLE ON LEVER BODY TO BEST FIT YOUR HAND. TIGHTEN WITH 4MM ALLEN WRENCH TO MAXIMUM 4NM. NOTE: THIS POSITION CAN BE CHANGED AFTER INSTALL TO FINE TUNE FIT.

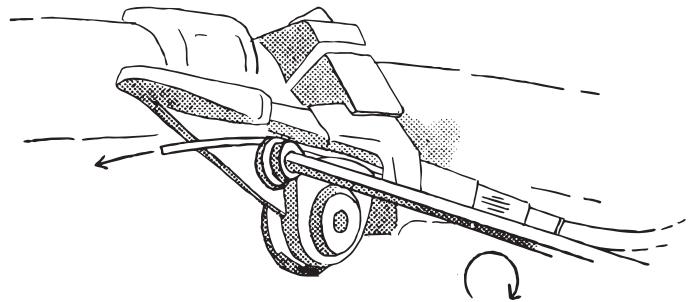


STEP 2

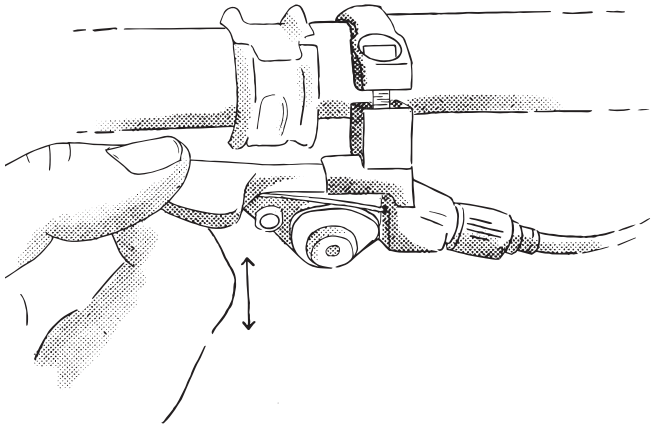
LOOSEN BUT DO NOT REMOVE THE CABLE FIXING BOLT ON THE UNDERSIDE OF THE DROPPER LEVER WITH A 3MM ALLEN WRENCH, SCREW THE BARREL ADJUSTER FULLY IN CLOCKWISE, AND MAKE SURE THE CABLE HOUSING HAS A HOUSING END INSTALLED. INSERT THE DROPPER CABLE THROUGH THE BARREL ADJUSTER UNTIL THE HOUSING IS COMPLETELY SEATED IN BARREL ADJUSTER, THREADING THE CABLE UNDER THE CABLE FIXING BOLT AND WASHER.

STEP 3

PULL CABLE TAUT AND TIGHTEN CABLE FIXING BOLT TO 2NM WITH A 3MM ALLEN WRENCH.



CONT'D...



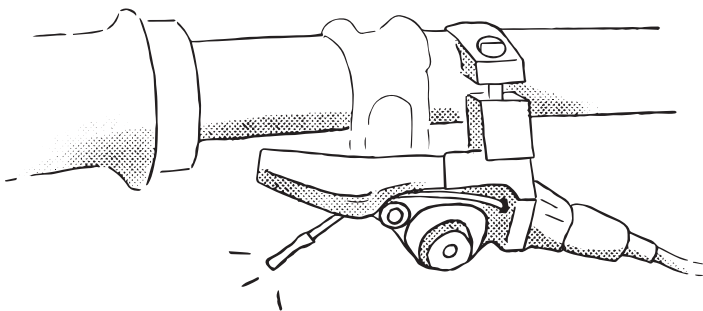
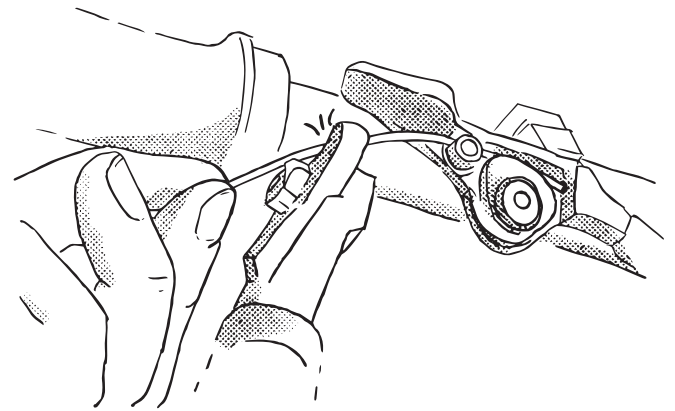
STEP 4

PUSH THE LEVER 5-10 TIMES TO MAKE SURE THE CABLE HOUSING IS FULLY SEATED AND TO CHECK FOR PLAY IN THE CABLE.

NOTE: IF THERE IS PLAY IN THE LEVER/CABLE, LOOSEN CABLE FIXING BOLT WITH 3MM ALLEN WRENCH AND PULL CABLE TIGHT A SECOND TIME. FOR MICRO ADJUSTMENT, USE THE BARREL ADJUST ON THE LEVER WHERE THE CABLE ENTERS.

STEP 5

TRIM EXCESS CABLE WITH CABLE CUTTERS WITH ENOUGH ROOM TO PLACE CABLE END, APPROXIMATELY 10MM. IT IS IMPORTANT TO USE PROPER CABLE CUTTERS TO PREVENT THE CABLE FROM FRAYING.



STEP 6

CRIMP CABLE END IN PLACE.
PUSH LEVER.
DROP POST.
GET RAD.

ADJUSTING SUSPENSION RATE

THE COAST DROPPER POST FEATURES AN ADJUSTABLE AIR SUSPENSION CARTRIDGE FOR TAKING THE EDGE OFF OF LARGER BUMPS WHILE SEATED. IT IS PURELY PERSONAL PREFERENCE FOR HOW MUCH AIR PRESSURE AND SUSPENSION MOVEMENT YOU PREFER, BUT AS A GENERAL RULE OF THUMB THERE SHOULD NOT BE ANY SAG WHEN YOU SIT ON THE SEAT.

NOTE: YOU WILL NEED A HIGH PRESSURE SHOCK PUMP.

STEP 1

REMOVE ONE BOLT OF SEAT CLAMP
AND REMOVE SEAT FROM POST.

STEP 2

REMOVE RUBBER PLUG TO REVEAL VALVE.
USE A COMPATIBLE SHOCK PUMP TO SET PRESSURE BETWEEN 230-300PSI.

WARNING: DO NOT EXCEED 300PSI.

