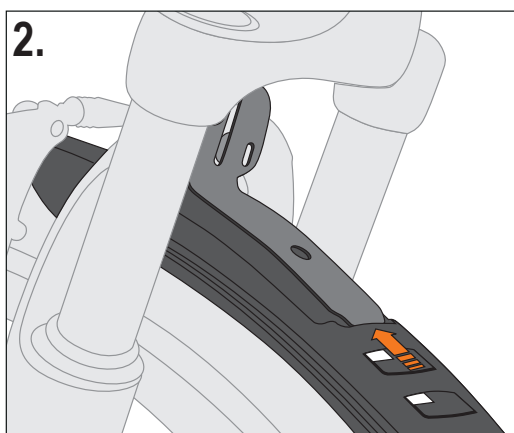
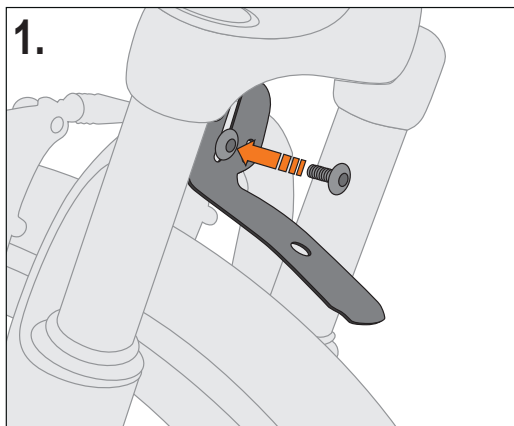
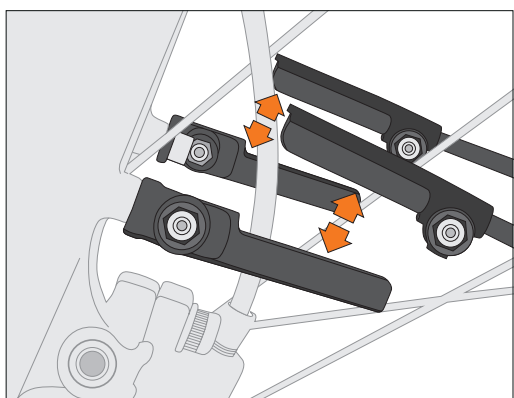
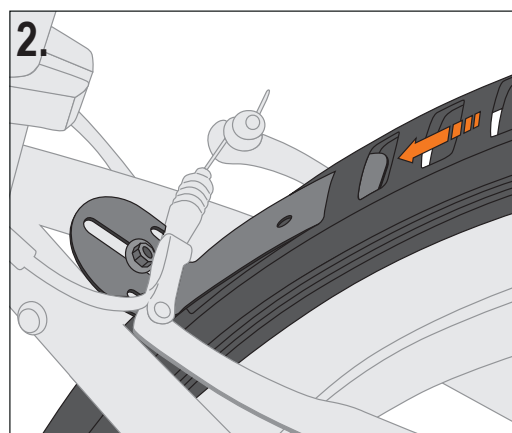
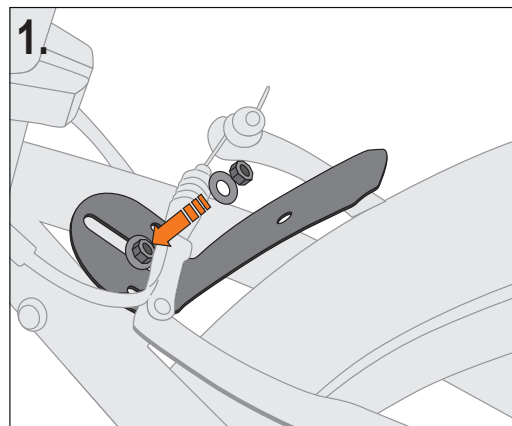


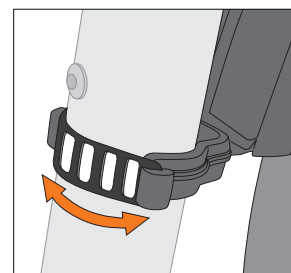
Front



Rear



The ESC-system prevents locking of the front wheel when a foreign body should be caught between tyre and mudguard. The stays release in such a case automatically. These can be pressed in again afterwards.

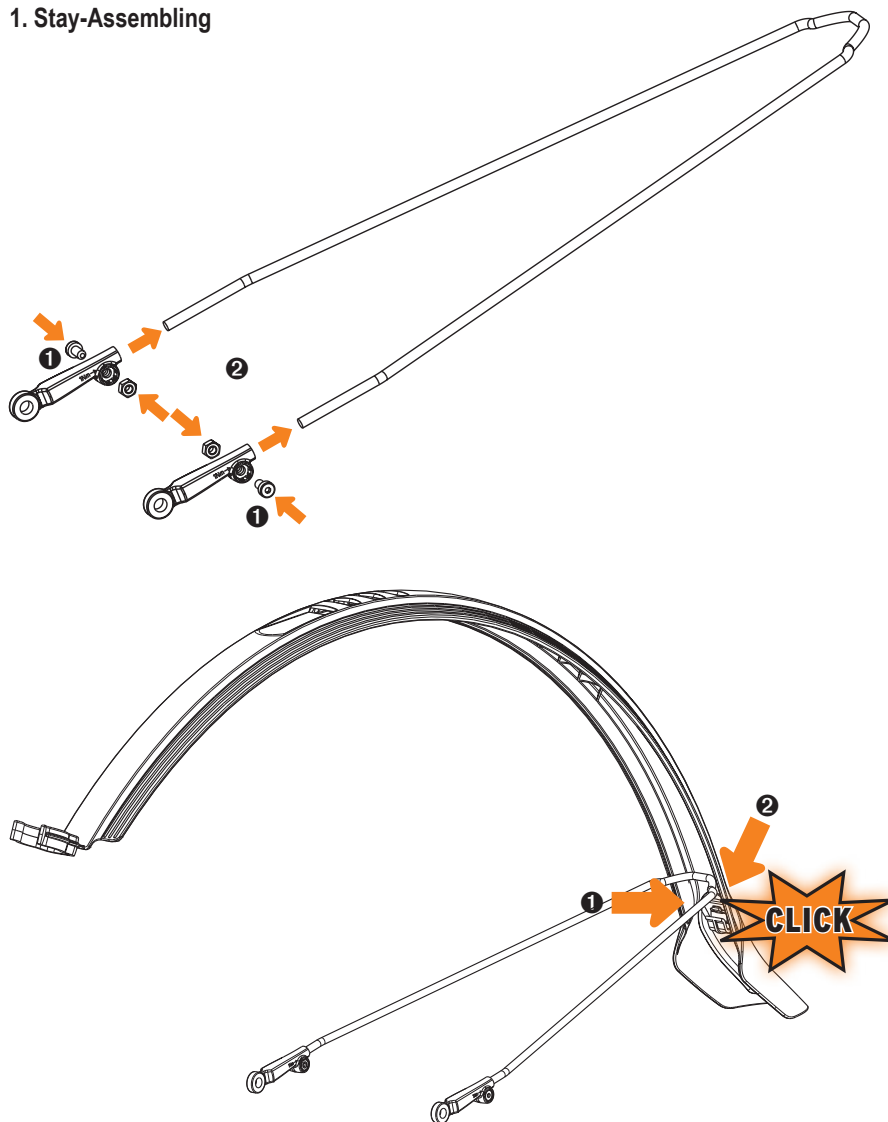


**EN. VELO 42 URBAN SET**

Easy to mount 26"-28" mudguard set for front and rear. Snap-in stainless for extra secure mounting. Suitable for frame tubes of 25-35 mm diameter.



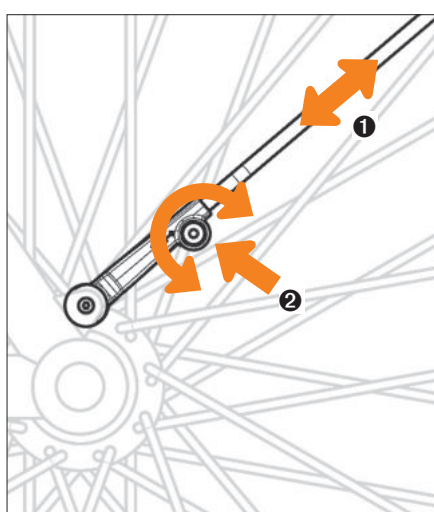
1. Stay-Assembling



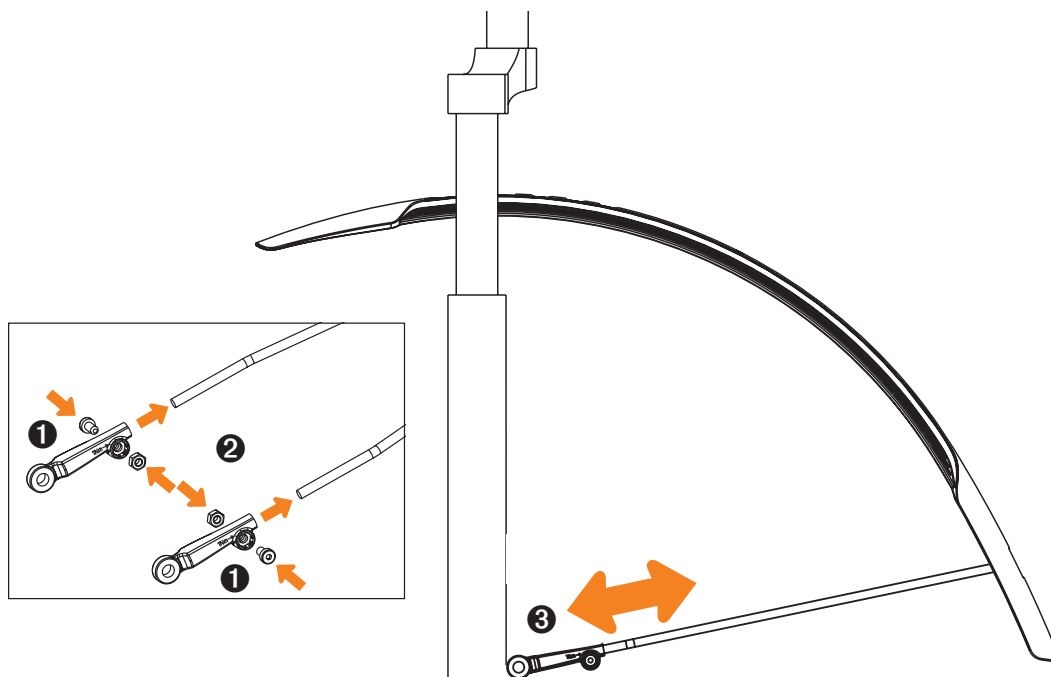
2. Frame-Assembling



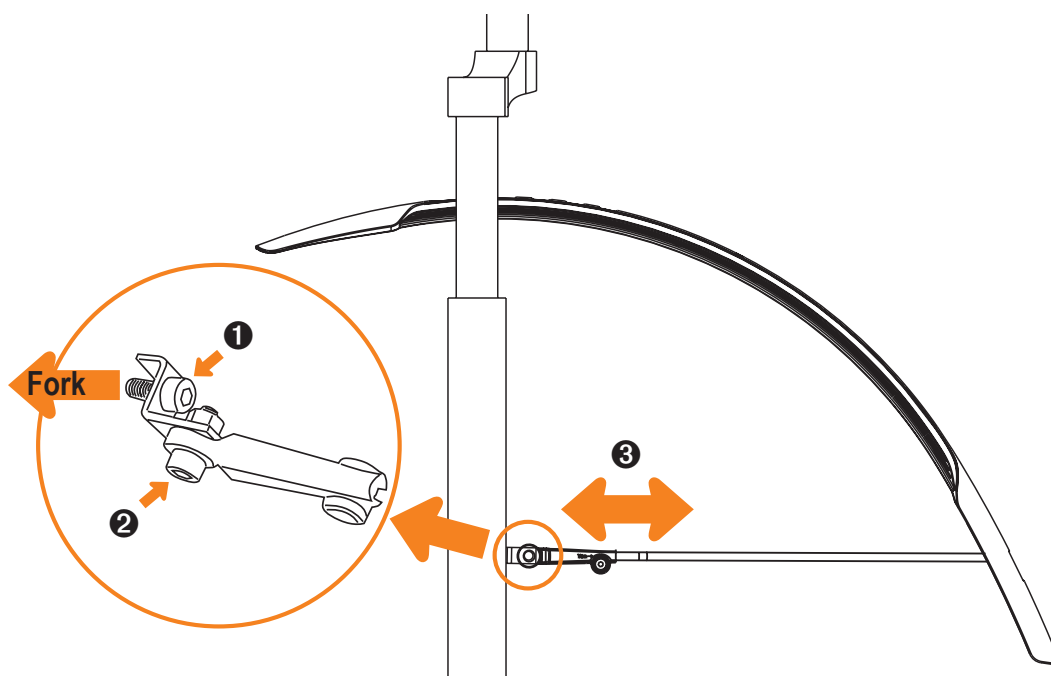
3. Length-Adjustment



## Assembling front wheel



## Assembling at suntour suspension fork



### EN. VELO 42 URBAN SET

U-stay Suntour not included in the scope of delivery.