



PRO

COMFORT

ECO

MAX **16** BAR

MAX **232** PSI



AUTO SCHRADER

SCLAVERAND PRESTA

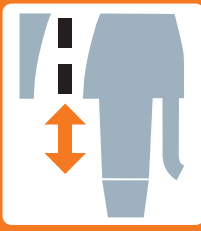


DUNLOP

MV EASY

Leichter Dichtungswechsel!

Easy sealing change!



SCLAVERAND PRESTA



DUNLOP



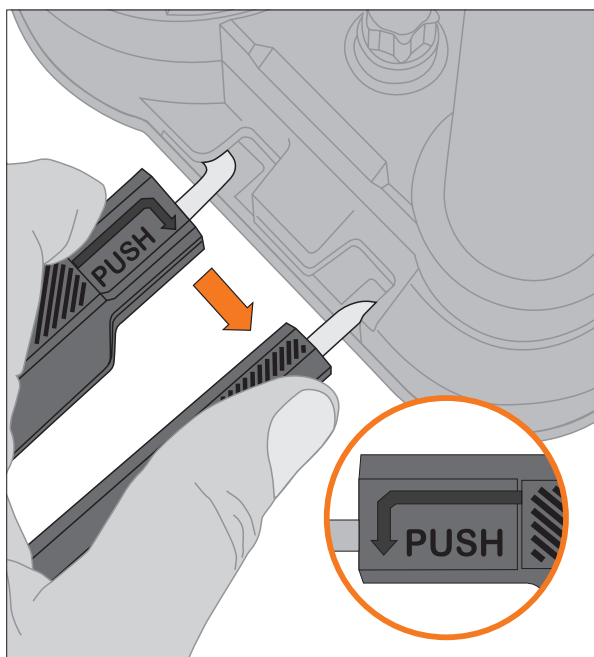
AUTO SCHRADER

EN . RENNKOMPRESSOR NXT

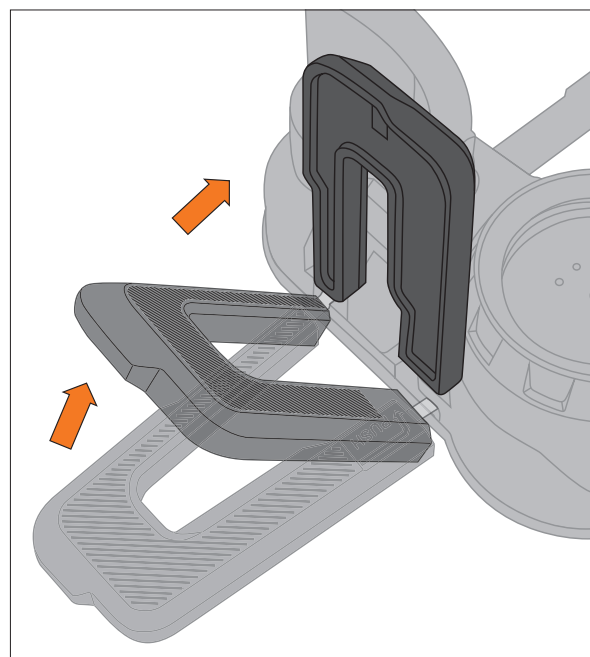
Professional floor pump with extra long high pressure hose, 120 cm. Cast-iron foot and solid steel tube. Fold up feet for space-saving transport. Precision gauge.



Correct folding of the base

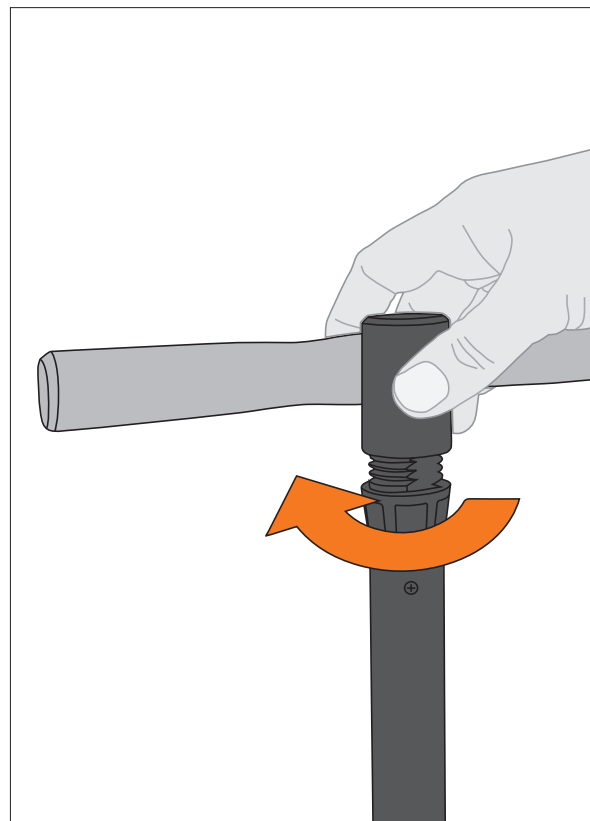
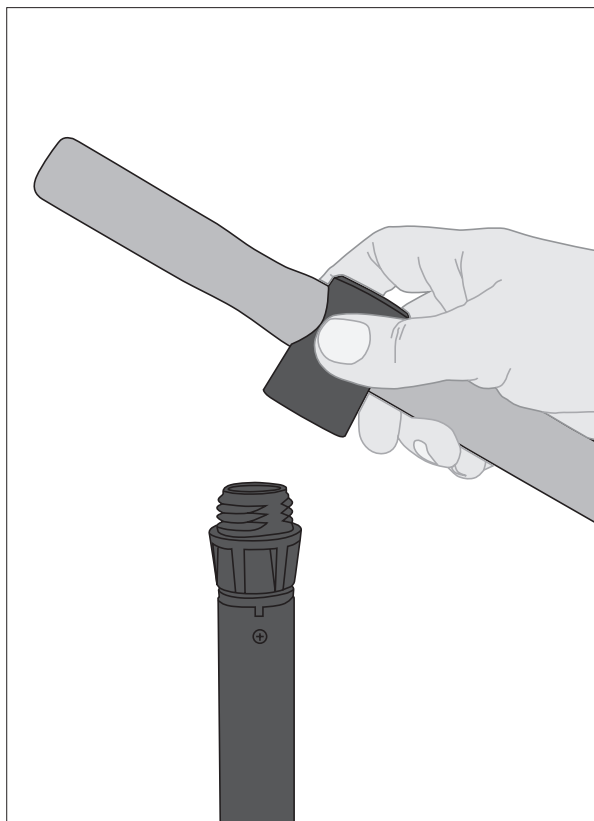


Compress the folding foot at the level of the push symbol until it is no longer under the lug of the iron casting base.

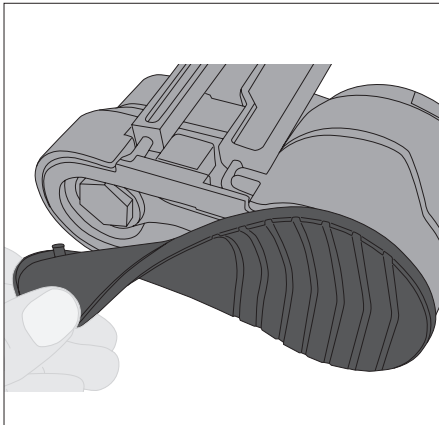


Then push the foot upwards until it is in the vertical position.

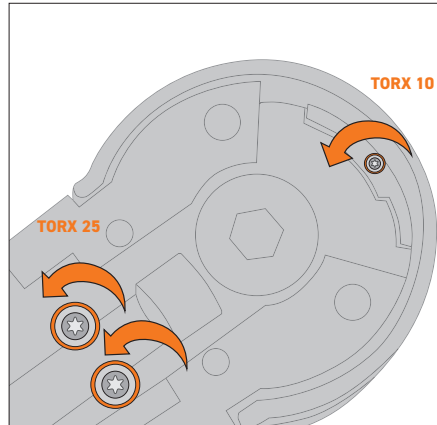
Handle mounting



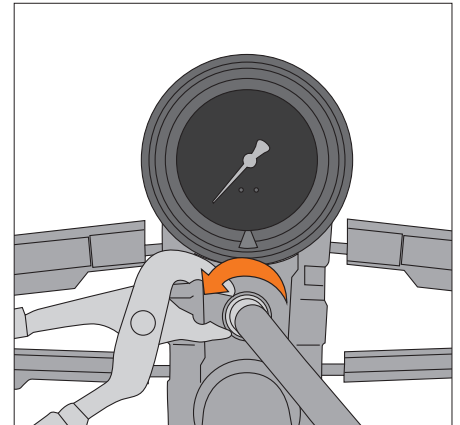
Replacement pressure gauge



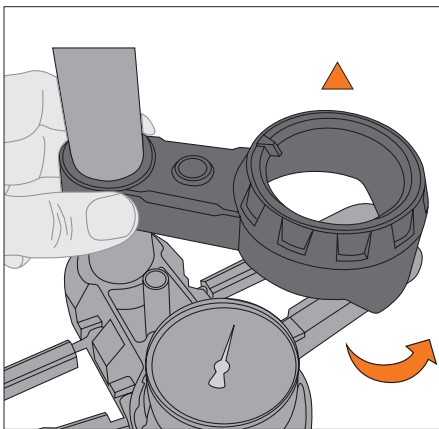
1. Remove the rubber pad



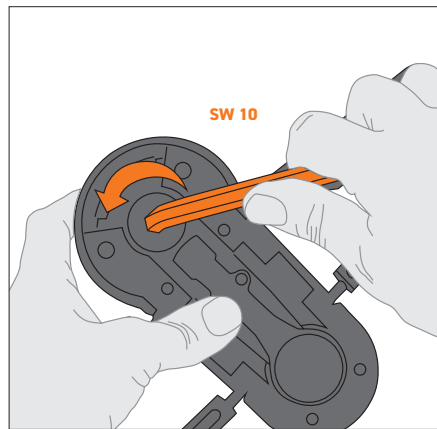
2. Loosen the Torx screws



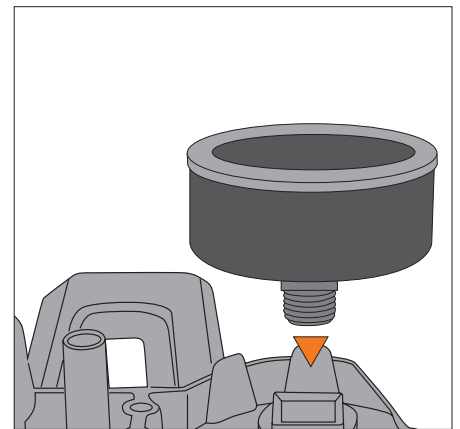
3. Loosen the hose screw connection



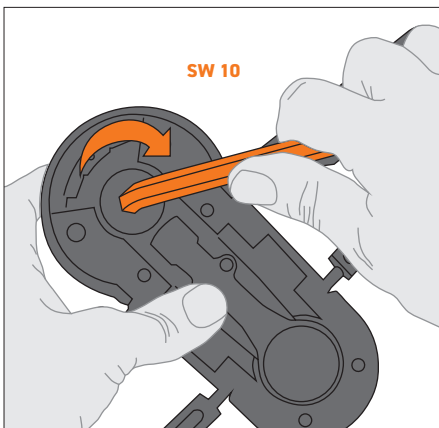
4. Lift up the pressure gauge cap and turn it away from you



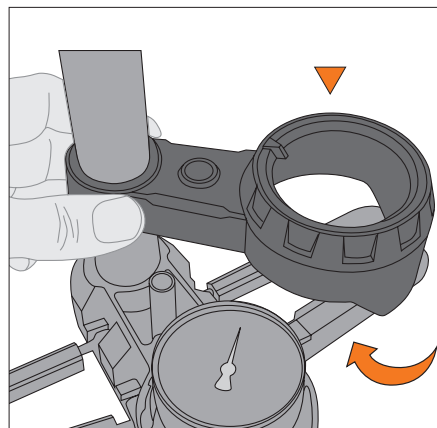
5. Unscrew the pressure gauge at the bottom with an Allen key (10)



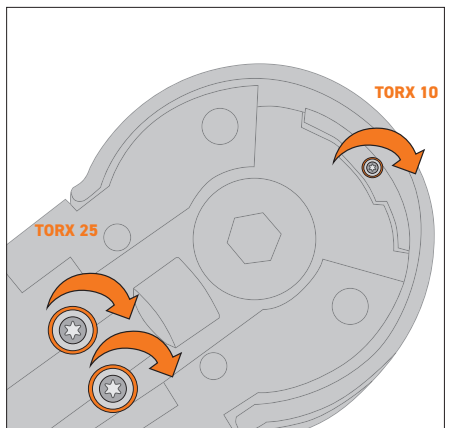
6. Insert the pressure gauge into the pressure gauge holder



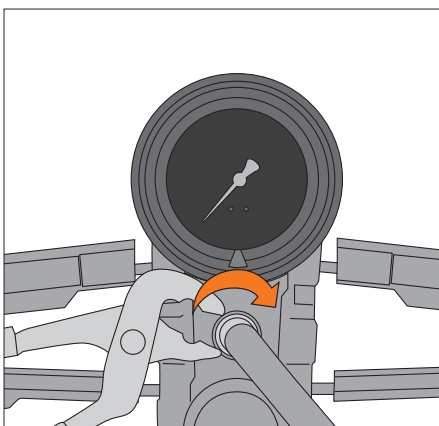
7. Screw on the pressure gauge with a maximum torque of 2 Nm



8. Put the pressure gauge cap back in place



9. Tighten the Torx screws again



10. Tighten the hose screw connection again