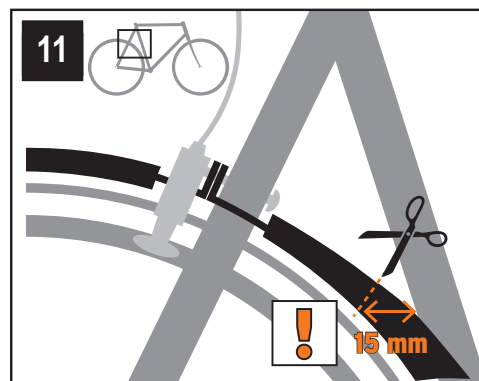
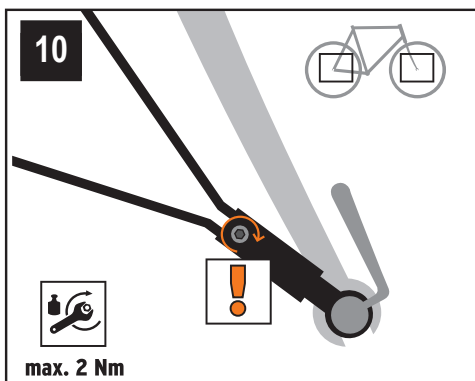
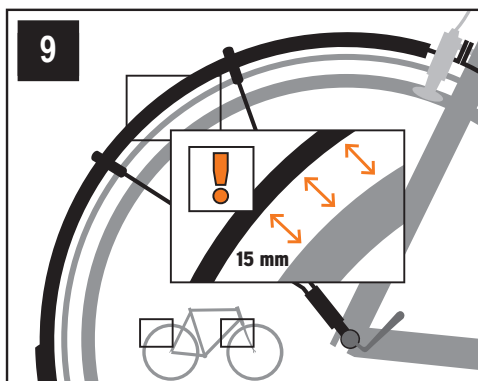
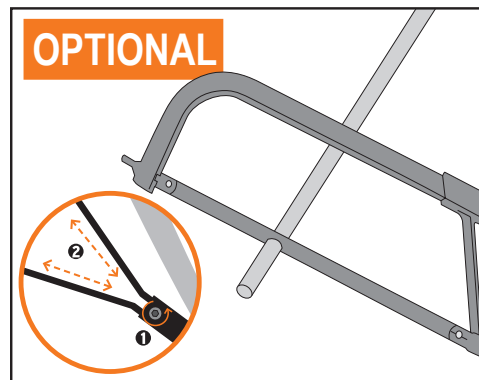
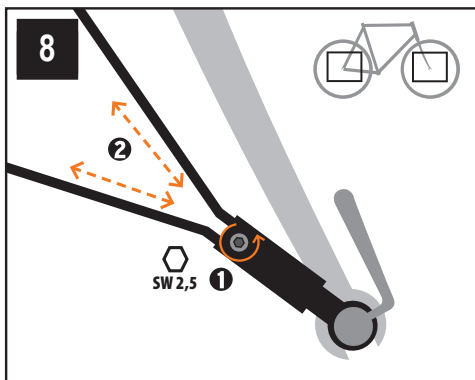
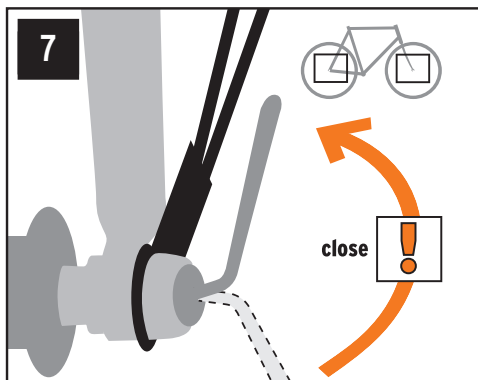
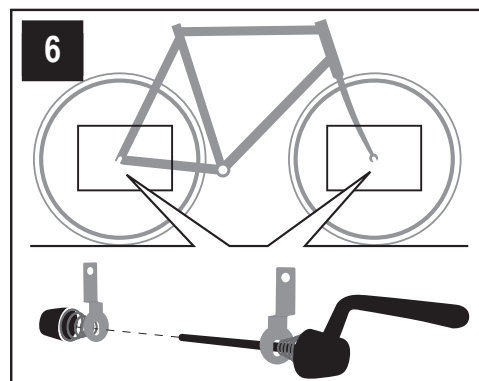
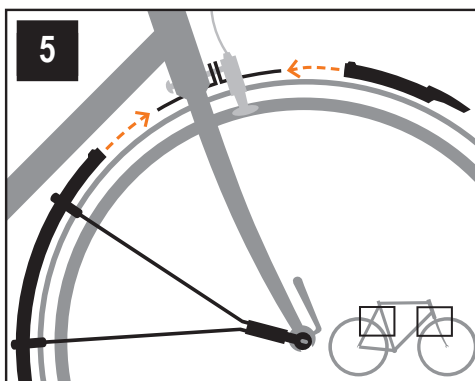
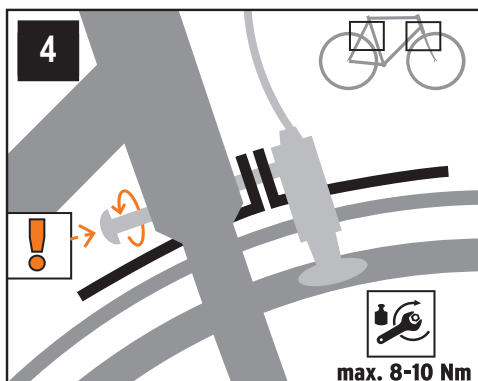
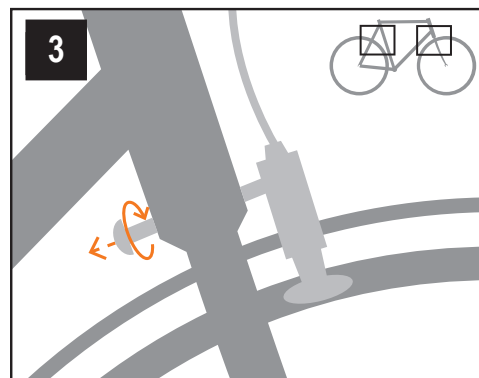
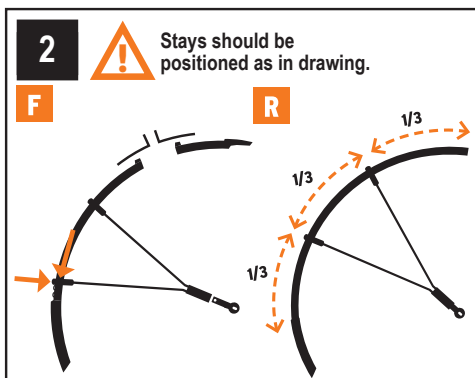
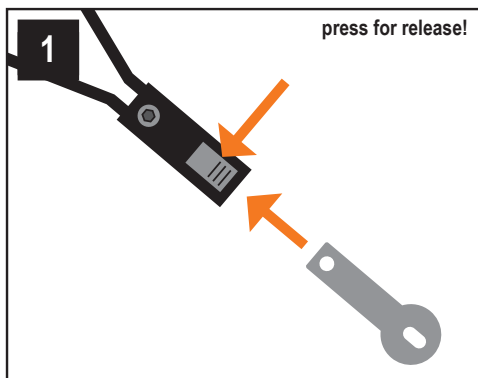
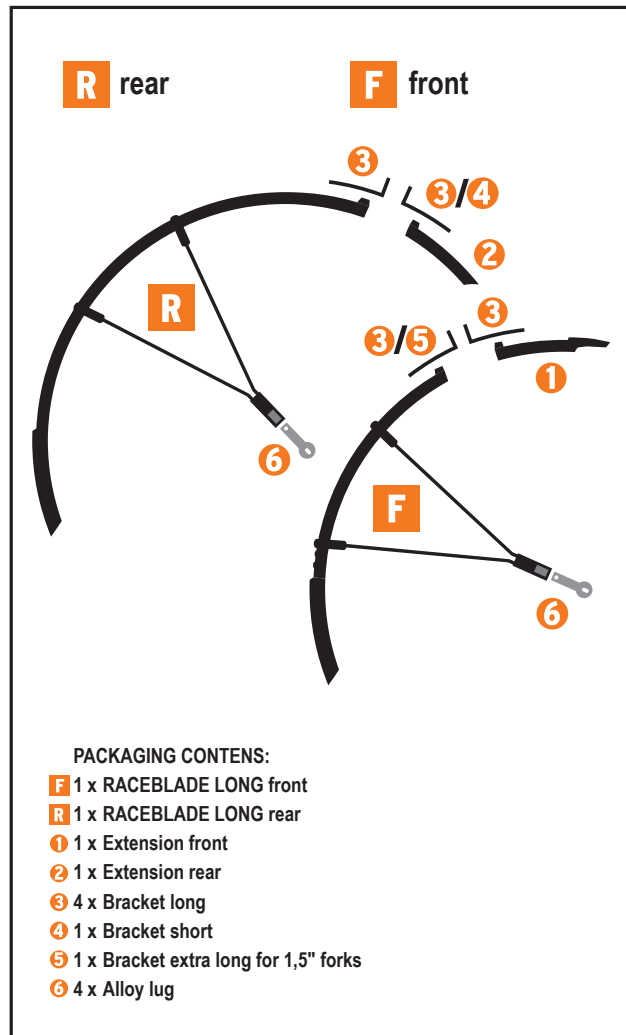




**ATTENTION!** Initial installation by a bicycle shop mechanic or by a competent person!





MOUNTING VIDEO

## EN . RACEBLADE LONG SET

**SKS GERMANY** recommends initial installation of the **RACEBLADE LONG** mudguards be performed by a bicycle shop mechanic or by a competent person.

1. Install the alloy lugs **6** by inserting the circular alloy lugs into the fixation points at the stay ends with the circular fixation points of the alloy lugs facing inward.
2. Position the stays approximately in the middle of the profile by sliding them fore and aft on the profile.
3. Remove the bolts of the caliper brakes.
4. Slide the correct (for your frame geometry) brake brackets **3**, **4** or **5** between brake and fork/frame. Retighten the bolts of the brakes to the proper manufacturer recommended torque (generally max. 8-10 Nm).
5. Slide the mudguard profiles **F** & **R** and the extensions **1**+**2** onto the mounted brackets. Be sure to feel the mudguard »click« into place.
6. Remove the quick-release axle skewers and the springs.
7. Attach the lugs along with the mudguards to the dropouts and clamp them securely by the skewers as recommended by manufacturer. Quick-release skewers should be checked for tightness before each ride.
8. Loosen the square drive screws for adjusting the proper profile's distance to the tyre.
9. The minimum distance between the tyre and the mudguard must be 15 mm.
10. After the adjustment retighten the screws (max. 2 Nm). These screws should be checked before each ride as vibration can cause them to loosen.
11. If necessary shorten the mudguard extension **2** at the rear wheel to the required length with robust scissors. The minimum distance between the mudguard and frame must be 15mm.

As needed rider can clip the mudguard sections on and off within seconds while the brackets and lugs may always remain attached to your bike.

**ATTENTION!** SKS GERMANY is not liable for damages resulting from failing to comply with the installation instructions as well as misuse of the product. Check the right and firm fit of the mudguards as described above before each ride. Equally SKS-Germany is not liable for any damage to frame coating or carbon layer resulting from the use of this product.