



1. Putting into Operation/Battery Change
 - 1.1 Lift/open the battery compartment using a narrow and flat screwdriver.
 - 1.2 Use a narrow and flat screwdriver to release and remove the battery from the battery compartment.
 - 1.3 Remove and dispose of the protective foil.
 - 1.4 Insert the battery with the »+« pole facing upward.
 - 1.5 Close the battery compartment again.
2. Measuring the Air Pressure:
 - 2.1 Switch the device on by pressing the button (acoustic signal).
 - 2.2 Briefly press the button and select BAR or PSI (acoustic signal)
 - 2.3 Remove the valve cap (also open the valve head if using the SV)
 - 2.4 Set the AIRCHECKER duohead to SV or AV (turn it 90° to the L or R) (Image)
 - 2.5 Place the AIRCHECKER duohead on fast and make the measurement. A successful measurement is confirmed by an acoustic signal and the measured value is permanently displayed.
3. Pressure Release Function with Realtime Measuring:
 - 3.1 Press the button to switch on.
 - 3.2 Press the button and select BAR or PSI (acoustic signal).
 - 3.3 Remove the valve cap (also open the valve head if using the SV)
 - 3.4 Set the AIRCHECKER duohead to SV or AV (turn it 90° to the L or R) (Image)
 - 3.5 Place the AIRCHECKER duohead on fast and make the measurement.
 - 3.6 To carry out a permanent realtime measurement, press the MODE button (the display flashes)
 - 3.7 Release pressure in a controlled manner by using the DEFLATE button. The reduced pressure is measured automatically and is displayed... (the display flashes).
 - 3.8 A pressing of the MODE button freezes the value that was measured last.

Switching off:

1. Press the BAR/PSI button for 3 sec.
2. Or AutoOff after approx. 30 sec.

Control elements

SCHRADER/AUTO



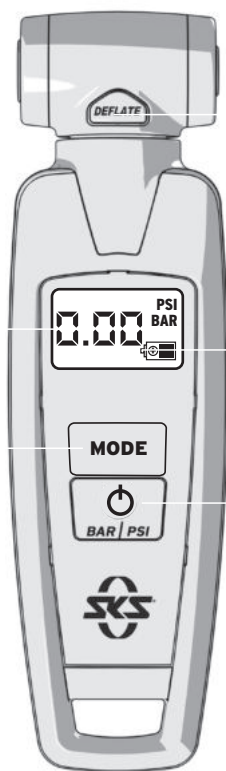
SCLAVERAND/PRESTA



deflate

Display
PSI/BAR

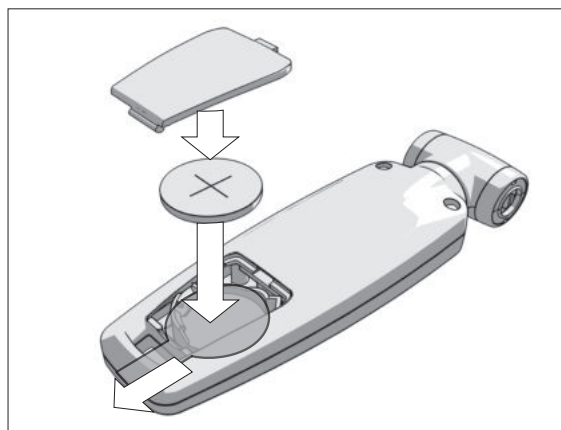
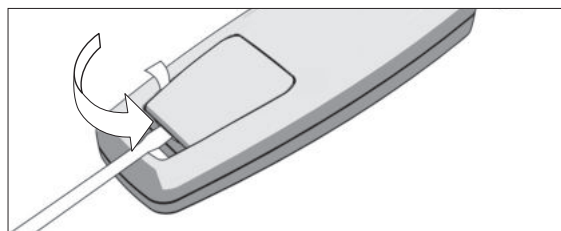
Pressure
real-time
measurements



charge
of battery

Push
1x = PSI
2x = BAR
3 sec. = OFF
Auto OFF = 30 SEC.

1. Inbetriebnahme / Batteriewechsel



ATTENTION! Open battery-Compartment and remove insulation spacer.

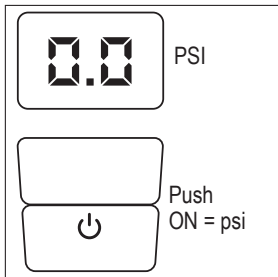
Technical specifications

Weight: 54g
 Measuring range: 0-10 bar
 Battery type: CR-2032
 Unit: psi/bar

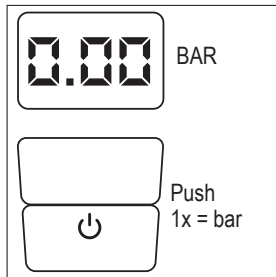




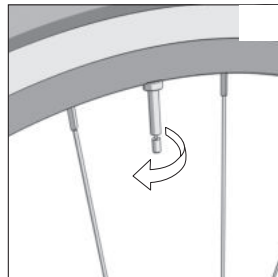
2. How to measure



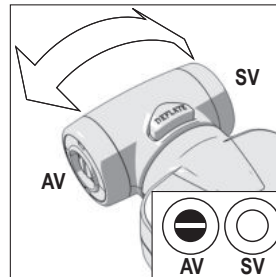
Switch on



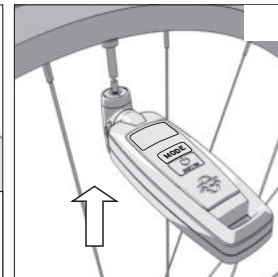
Change unit



Open valve
(only SV SCLAVERAND)

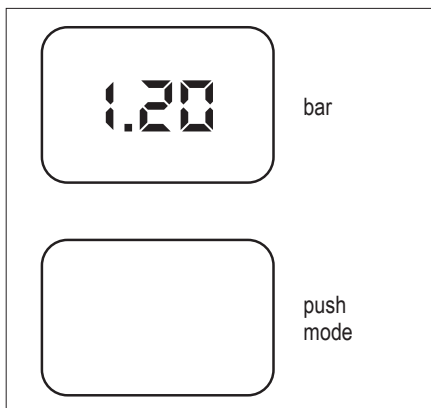


Choose valve

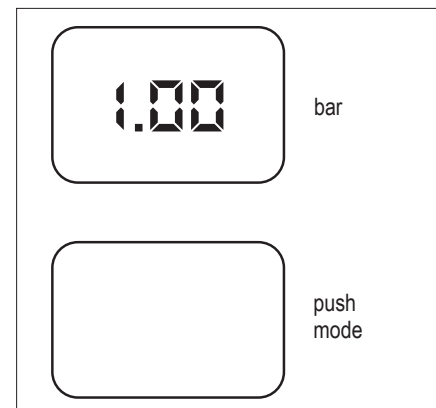
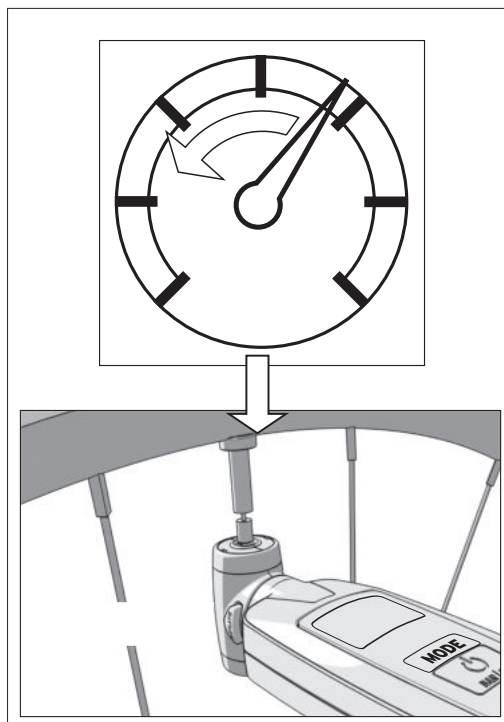


Control pressure

3. Reduce pressure with realtime measuring



Realtime measuring mode



Measurent freezes